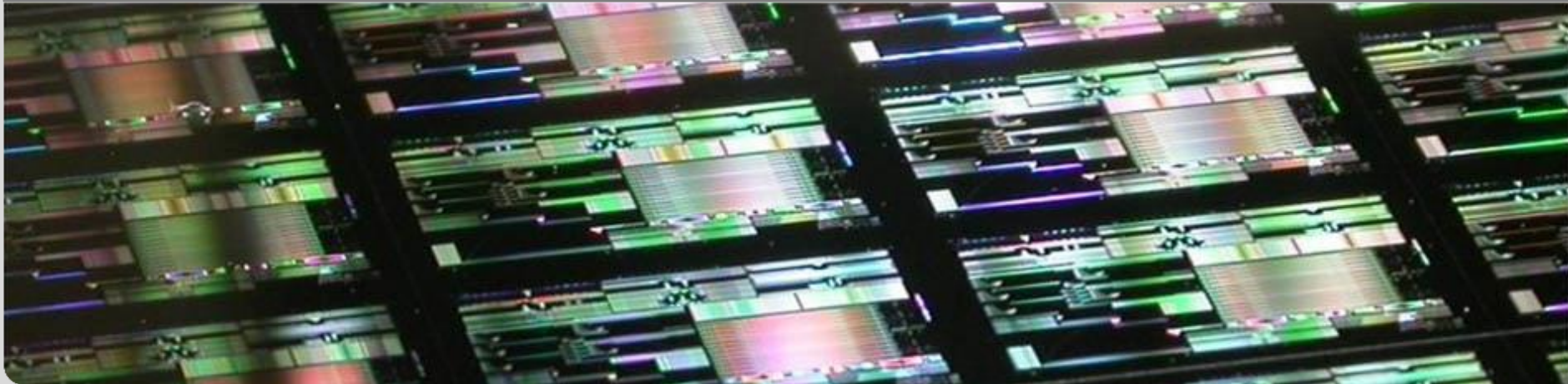


**NAVOLCHI Project Meeting Eindhoven  
January 28, 2013  
Claudia Hoessbacher**

# **Technical Issues**

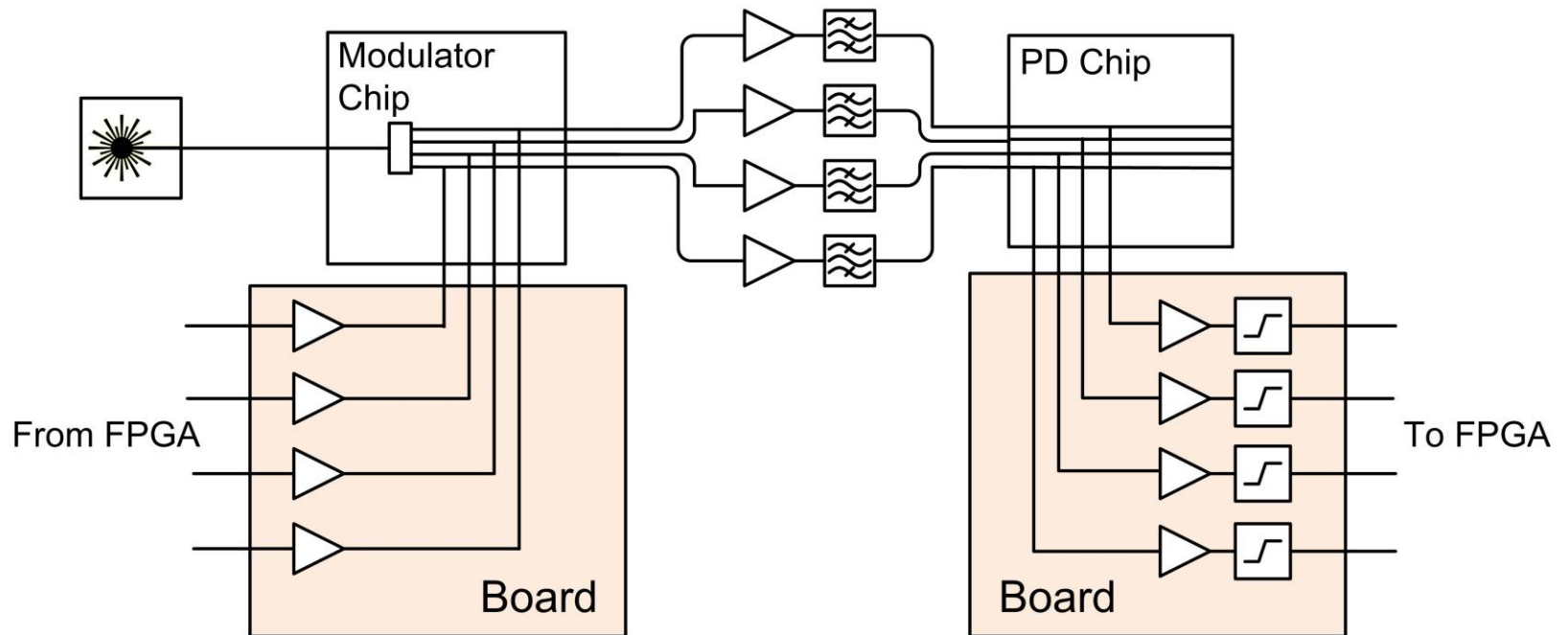
Institute of Photonics and Quantum Electronics (IPQ), Karlsruhe, Germany  
Institute of Microstructural Technology, Karlsruhe, Germany  
Institute of Electromagnetic Fields (IFH), ETH Zurich, Switzerland



# Demonstrator

## Transmitter

## Receiver



# Demonstrator - Electronic parts

What ST can do is:

- Send the rtl for the FPGA
- Choose discrete components for implementing the analog parts
- Act as consultant for the partner(s) who will design and manufacture the board

What someone else has to do:

- provide an FPGA (ST cannot move their FPGA somewhere else)
- design and manufacture the electronic board (laser driver, modulator driver, etc.) with the discrete components